

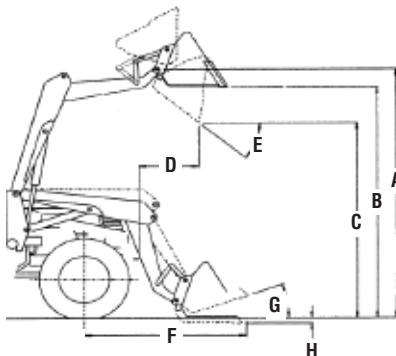
New Holland 200TL Series Front-End Loader Specifications



210TL 230TL 240TL 250TL 260TL 270TL

LOADER MODEL TRACTOR MODEL	210TL T1110	230TL TC23DA TC26DA non SuperSteer™	240TL T2210, T2220 TC31DA, TC34DA non SuperSteer™	240TL T2210, T2220 TC31DA, TC34DA w/SuperSteer™	250TL TC35A TC35DA non SuperSteer™
Lift capacity @ max. height @ 19.7 in. (500 mm), lbs. (kg)	537 (244)	750 (340)	875 (397)	905 (411)	1386 (629)
Lift capacity @ max. height @ pins, lbs. (kg)	900 (408)	1090 (494)	1250 (567)	1291 (586)	1800 (816)
Lift capacity @ 39 in. (991 mm) high @ 19.7 in. (500 mm)	993 (450)	890 (404)	1183 (537)	1226 (556)	1654 (750)
Lift capacity @ 39 in. high @ pins, lbs. (kg)	604 (274)	1188 (539)	1596 (724)	1582 (718)	2134 (968)
Breakout force @ 19.7 in. (500 mm), lbs. (kg)	1084 (492)	1220 (553)	1900 (862)	1930 (875)	2376 (1078)
Breakout force @ pins, lbs. (kg)	1492 (677)	1720 (780)	2700 (1225)	2752 (1248)	3186 (1445)
Max. lift height, in. (mm) (A)	72.6 (1844)	85 (2172)	98.4 (2499)	98.7 (2507)	105 (2667)
Max. lift height under level bucket, in. (mm) (B)	65.9 (1674)	79 (2007)	91.8 (2332)	92.4 (2347)	97.5 (2477)
Clearance w/bucket dumped, in. (mm) (C)	52.2 (1326)	64 (1626)	75 (1913)	77 (1956)	81.5 (2070)
Reach @ max. lift height, in. (mm) (D)	27.8 (706)	24 (597)	31 (787)	39 (991)	32.5 (826)
Max. dump angle - degrees (E)	45	38	39	39	58
Reach @ ground line, in. (mm) (F)	49 (1245)	56 (1431)	70 (1778)	66 (1684)	69 (1753)
Bucket rollback angle - degrees (G)	23	28	32	32	30
Digging depth, in. (mm) (H)	3.9 (99)	2.5 (64)	8(203)	8(203)	6.5 (165)
Cycle times - seconds					
Raising time	3.2	4.7	4.1	4.2	4.2
Lowering time	2.7	2.7	2.2	2.4	3.2
Bucket dump time	2.0	2.2	1.5	1.4	1.9
Bucket rollback time	1.5	2.8	2	1.9	2.6
Approx. weight (loader w/o bucket), lbs. (kg)	375 (170)	470 (213)	560 (254)	600 (272)	730 (331)
BUCKET CAPACITIES, STRUCK/HEAPED, CU. YD. (M³)					
48" heavy-duty pin-on	.210/.260 (.160/.190)	.277/.336 (.212/.257)	—	—	—
54" heavy-duty pin-on	—	.311/.380 (.238/.291)	—	—	—
60" heavy-duty pin-on	—	—	.382/.471 (.292/.360)	.382/.471 (.292/.360)	—
60" heavy-duty quick-attach	—	—	.382/.471 (.292/.360)	.382/.471 (.292/.360)	—
68" heavy-duty quick-attach	—	—	.433/.534 (.331/.408)	.433/.534 (.331/.408)	—
72" heavy-duty pin-on	—	—	—	—	.459/.572 (.351/.437)
72" heavy-duty quick-attach	—	—	—	—	.459/.572 (.351/.437)

NOTES: Specification based on ASAE (S301.3) and are subject to change without notice. Dimensional and performance specifications are based on typical tractors and tire sizes.



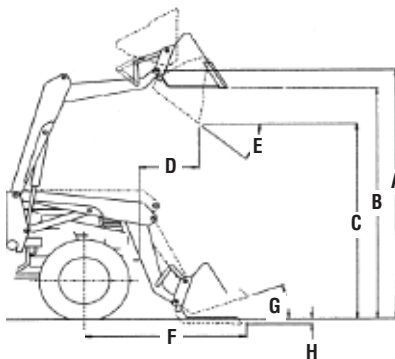
New Holland 200TL Series Front-End Loader Specifications



210TL 230TL 240TL 250TL 260TL 270TL

LOADER MODEL	250TL	260TL	260TL	270TL
TRACTOR MODEL	T2310, T2320 TC40A/TC40DA TC45A/TC45DA non SuperSteer™	TC35DA w/SuperSteer™	T2310, T2320 TC40DA TC45DA w/SuperSteer™	T2410, T2420 TC48DA TTC55DA non SuperSteer™
Lift capacity @ max. height @ 19.7 in. (500 mm), lbs. (kg)	1540 (699)	1391 (631)	1545 (701)	1830 (830)
Lift capacity @ max. height @ pins, lbs. (kg)	2000 (907)	1760 (798)	1955 (887)	2500 (1134)
Lift capacity @ 39 in. (991 mm) high @ 19.7 in. (500 mm)	1759 (798)	1436 (651)	1726 (783)	2213 (1003)
Lift capacity @ 39 in. high @ pins, lbs. (kg)	2317 (1051)	1939 (880)	2128 (965)	3500 (1588)
Breakout force @ 19.7 in. (500 mm), lbs. (kg)	2640 (1197)	2223 (1008)	2470 (1120)	3114 (1412)
Breakout force @ pins, lbs. (kg)	3540 (1606)	2929 (1329)	3254 (1476)	5000 (2268)
Max. lift height, in. (mm) (A)	105 (2667)	106 (2692)	106 (2692)	112.3 (2852)
Max. lift height under level bucket, in. (mm) (B)	97.5 (2477)	99.75 (2534)	99 (2515)	104.4 (2652)
Clearance w/bucket dumped, in. (mm) (C)	81.5 (2070)	82 (2083)	82 (2083)	85.2 (2165)
Reach @ max. lift height, in. (mm) (D)	33 (838)	43.25 (1100)	43.25 (1100)	32 (813)
Max. dump angle - degrees (E)	58	60	60	49
Reach @ ground line, in. (mm) (F)	69 (1753)	72 (1829)	73 (1850)	79 (2007)
Bucket rollback angle - degrees (G)	30	32	32	39
Digging depth, in. (mm) (H)	6.5 (165)	7.0 (178)	7.0 (178)	4.9 (124)
Cycle times - seconds				
Raising time	4.2	4.2	4.2	4.1
Lowering time	3.2	3.2	3.2	3.9
Bucket dump time	1.9	1.9	1.9	4.1
Bucket rollback time	2.6	2.6	2.6	3.2
Approx. weight (loader w/o bucket), lbs. (kg)	730 (331)	780 (354)	780 (354)	800 (363)
BUCKET CAPACITIES, STRUCK/HEAPED, CU. YD. (M³)				
48" heavy-duty pin-on	—	—	—	—
54" heavy-duty pin-on	—	—	—	—
60" heavy-duty pin-on	—	—	—	—
60" heavy-duty quick-attach	—	—	—	—
68" heavy-duty quick-attach	—	—	—	—
72" heavy-duty pin-on	.459/.572 (.351/.437)	.459/.572 (.351/.437)	.459/.572 (.351/.437)	—
72" heavy-duty quick-attach	.459/.572 (.351/.437)	.459/.572 (.351/.437)	.459/.572 (.351/.437)	.459/.572 (.351/.437)

NOTES: Specification based on ASAE (S301.3) and are subject to change without notice. Dimensional and performance specifications are based on typical tractors and tire sizes.



Visit our Web site at www.newholland.com/na. Or, call toll-free **866-NEW-HLND (866-639-4563)**.

Design, materials and/or specifications are subject to change without notice and without liability therefor. Specifications are applicable to units sold in Canada, the United States, its territories and possessions, and may vary outside these areas.



Safety begins with a thorough understanding of the equipment. Always make sure you and your operators read the Operator's Manual before using the equipment. Pay close attention to all safety and operating decals and never operate machinery without all shields, protective devices and structures in place.